



MODULE

**TAE**

Tracking & Ejecting

# KAS<sup>®</sup>

Rotary Ejector

RE100



www.TOPGUARD.tech

## TAE Tracking & Ejecting

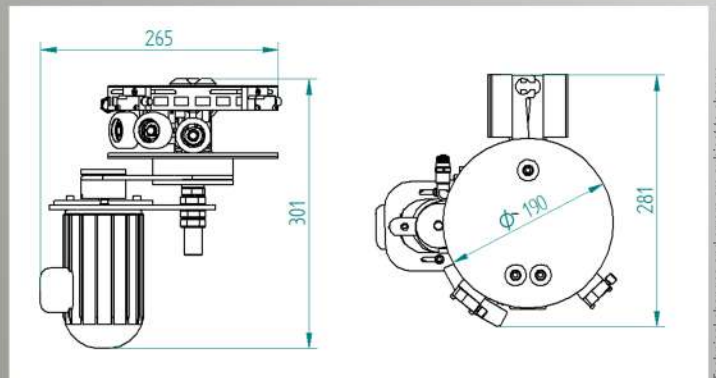
Rotary ejector RE100 for ejecting faulty cartons

# Tracking and Ejecting

As part of KAS quality assurance systems, the rotary ejector RE100 overtakes ejecting faulty cartons. Mounted in folder-gluer's transfer section, the rotary ejector RE100 eject faulty cartons by pulling and turning them out of production stream before they reach the press. The big advantages of rotary ejector RE100 are:

- powerful catching mechanism very good suited for very small cartons
- very small dimension space and
- low price.

RE100 is a good choice when ejecting small cartons.





Technical changes and errors are subject to change

# KAS<sup>®</sup>

KAS GmbH

An der Lehmkuhle 8  
37359 KUELLSTEDT

Tel. +49 36075 589390 

Tel. +49 36075 589391 

Fax +49 36075 589392

email [info@KAS-SYSTEMS.de](mailto:info@KAS-SYSTEMS.de)

web [www.KAS-SYSTEMS.de](http://www.KAS-SYSTEMS.de)

## TAE Tracking and Ejecting

TAE Rotary